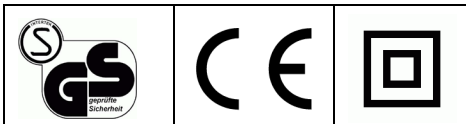
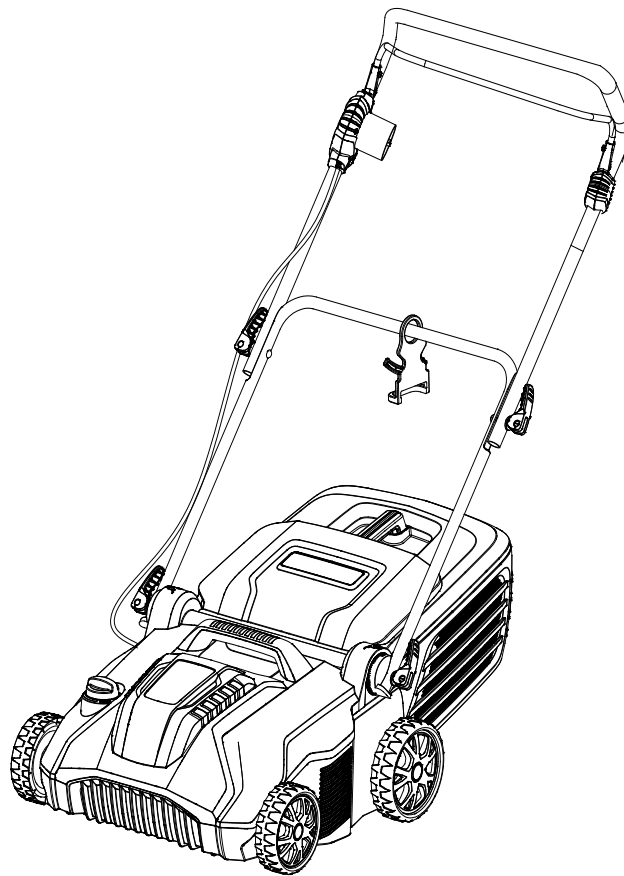


# COBRA

MODEL: SA40E (LS-S40011A)

## COBRA SCARIFIER AERATOR OWNER'S MANUAL



**Cobra Garden Machinery**

Henton and Chattell Ltd., London Road, Nottingham NG2 3HW UK

[www.cobragarden.co.uk](http://www.cobragarden.co.uk)

# 1. Where to use your Electric Scarifier

---

## Intended use

The SA40E is designed for aerating lawns and grass in private domestic gardens. It is not designed for use in public facilities, parks, sporting grounds, on roadsides, in agriculture or forestry.

## Please note

Attention! To prevent injury, the SA40E must not be used for trimming bushes, hedges and shrubs. In addition, the electric scarifier must not be used for levelling irregularities in the soil.

# 2. For Your Safety

---

Please observe the notes on safety on the Electric Lawn Rake.



Warning!  
Read instruction  
handbook!



Sharp prongs can cause  
injury!

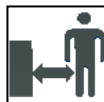
Unplug from the mains  
before maintenance or  
if the mains lead is  
damaged.



Danger! Risk of injury!  
Keep bystanders  
Away!



Keep mains connection  
lead away from the  
scarifier.



## SAFETY INSTRUCTIONS

 **Warning! Read these instructions carefully before operating this machine.**

Make sure that you are familiar with the controls and properly operate the machine. By following these instructions, you can reduce the risk of fire, electric shock and personal injury.

## GENERAL SAFETY INSTRUCTIONS

Read all safety warnings and all instructions. Failure to follow the warnings and instructions may result in electric shock, fire and/or serious injury! Save all warnings and instructions for future reference. The term "garden power tool" in the warnings refers to your mains-operated (corded) garden power tool or battery-operated (cordless) garden power tool!

1. This garden power tool is not intended for use by persons (including children) with reduced physical, sensory or mental capabilities, or a lack of experience and knowledge.

New users should be given supervision or instruction concerning the use of the garden power tool or given these instructions.

2.Children should not play with the garden power tool.

3.The garden power tool must be kept out of reach of children.

4.Store the instruction manual in a location accessible to all users of the garden power tool and always include the instruction manual when passing it on to other users.

5.Instruct inexperienced persons on the safe use of this garden power tool using this instruction manual.

## **IMPORTANT READ CAREFULLY BEFORE USE AND KEEP FOR FUTURE REFERENCE**

### **Training**

Read the instructions carefully. Be familiar with the controls and the proper use of the machine.

### **Preparation**

1. Never allow people unfamiliar with these instructions or children to use the product.

Local regulations can restrict the age of the operator.

2. Never operate the product while people, especially children, or pets are nearby.

3. Keep in mind that the operator or user is responsible for accidents or hazards involving the powered garden tool that occur to other people or their property.

4. Wear ear protection and safety glasses at all times while operating this product.

5. Always wear substantial footwear and long trousers while operating the product. Do not operate the product when barefoot or wearing open sandals.

### **Checks before each use:**

1. Before using, always visually inspect to see that the tines, screws or bolts are not worn, loose or damaged. Replace worn or damaged tines and bolts in sets to preserve balance.

2. Thoroughly inspect the area where the product is to be used and remove all stones, sticks, wires, bones and other foreign objects.

3. Do not use the tool if the safety devices are inoperative or damaged, e.g. starter lever, safety interlock, rear flap or housing.

4. Keep hands and feet away from the aerator cylinder and the scarifier tines at all times.

5. Only operate the electric garden tool when visibility is good.

6. Whilst the motor is powered do not open the rear discharge flap or tip the machine to expose the blades or tines.

7. Take extra care when operating on slopes and even ground. When changing direction on slopes take additional care to avoid slips or falls.

8. Take extra care when walking backwards to avoid stumbling, slipping or falling.

9. Do not operate the scarifier when it is raining or in wet conditions.

10. Avoid using near the edge of pools and garden ponds.

11. Operate the powered garden tool at a walking pace only. Always ensure that you have secure foothold when working.

12. When leaving the machine unattended for any time, disconnect the mains power supply plug. Similarly, whilst transporting the powered tool from one work area to another disconnect the power and put the wear compensation lever in the transport position.

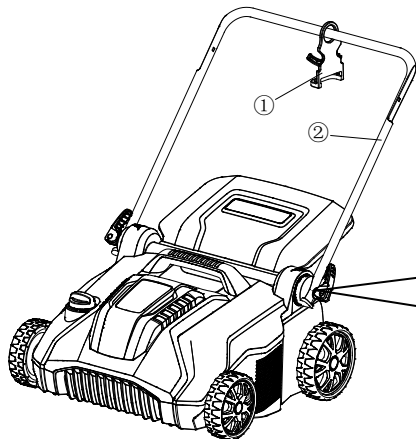
13. If the scarifier comes into contact with stones, twigs, branches or other hard surfaces stop operation immediately. Disconnect the mains power, remove any obstructions and inspect the machine for damage. Do not operate the powered tool if it is damaged. Repair the machine before operating again.

**Electrical safety:**

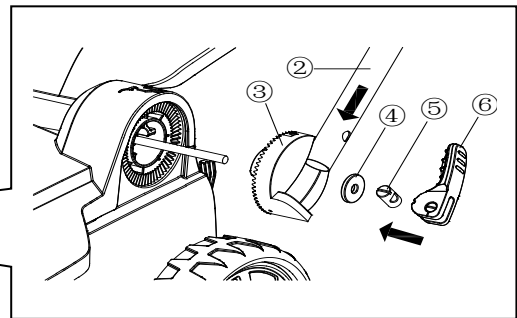
1. Keep the scarifier and any extension cables away from the aerator cylinder and the scarifier tines to avoid damage to the cable.
2. Do not allow the machine or its connectors to become wet. Do not use whilst it is raining.
3. Be considerate to your neighbours when you operate the garden scarifier and abide by the local regulations regarding designated quiet times.
4. Regularly ensure that cables and connectors are not damaged and check for signs of wear and tear. Replace as required.
5. Disconnect the mains plug immediately if the cables, switches or connectors are damaged.
6. Only use suitable waterproof type connectors for external extension cables. Extension cables should meet the requirements of DIN VDE 0620 and have appropriate cable cross-sections for the application. Your local dealer will be able to recommend suitable outdoor extension cables.
7. Use a residual-current device with a rating of 30mA or less. Ask your local dealer for details.

### 3.Assembly

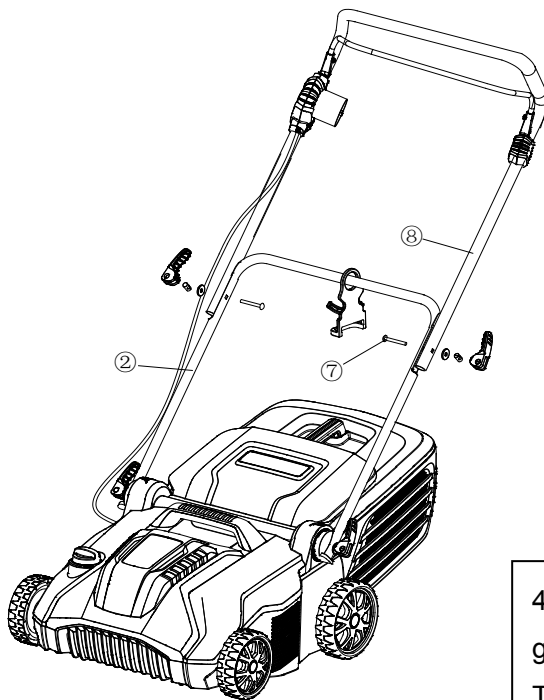
A1



A

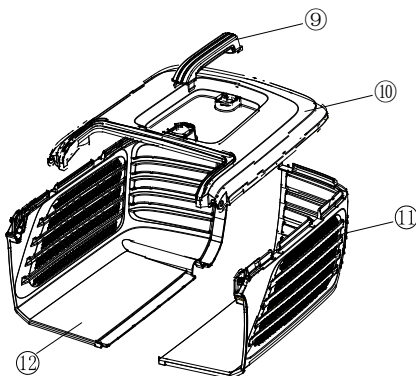


B



B

C



1. Attach the cable hock ① to the upper handle ② (A)

1. Insert the lower handle ② into the knob ③, Then add the knob ③ to the bolt, next add the cylinder pin ⑤ to the quick release knob ⑥, then add the washer ④ to the bolt, Then put all the parts together.

2. Use the bolt ⑦ to connect the upper and lower handle, then add the cylinder pin ⑤ to the quick release knob ⑥, then add the washer ④ to the bolt, and put all the parts together.

4. Add the grassbox handle ⑨ into the slots in the grassbox cover ⑩ until it clicks securely into position. Then fix the right grassbox ⑪ and the left grassbox ⑫ with the clasp. Ensure all clasp are correctly located.

**Last fix the cover to the grassbox with the clasp.**

5. Fitting Fully Assembled Grassbox to Lawnmower (C)

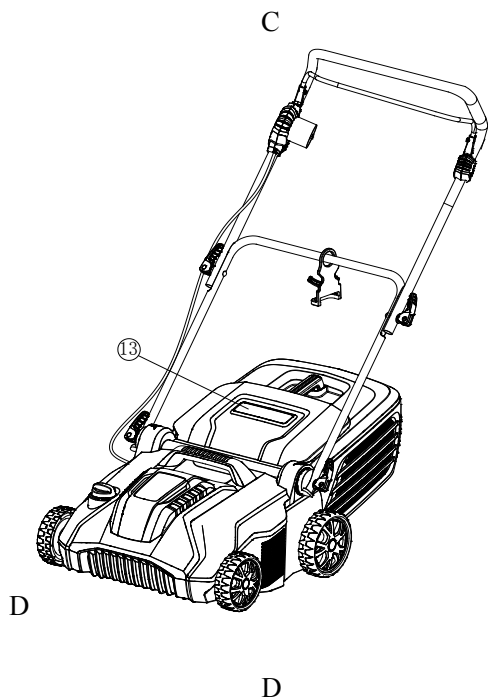
a. Lift the **safety guard (13)**

b. Make sure the discharge chute is clean and free from debris

c. Locate fully assembled grassbox on to the location points at the rear of the deck as illustrated

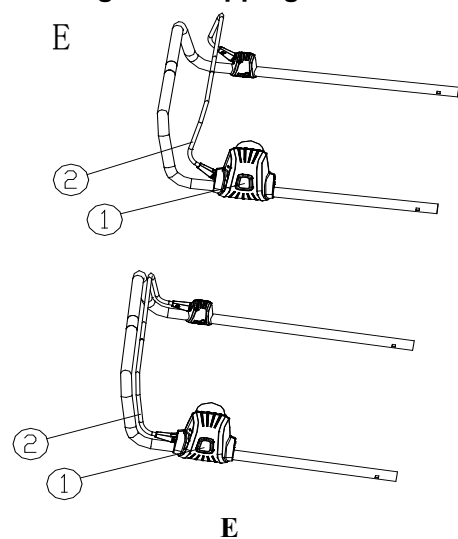
d. Locate the safety flap onto the top of the grassbox. Ensure the grassbox is securely located.

Note: For non-grass collection the scarifier can be used without the grassbox in position, with the **safety guard (13)** in the down position. (D)



## 4. Operation

### Starting and Stopping:



**Make sure the blade has stopped rotating before switching “on” again.**

**-Do not rapidly switch on and off.**

### Starting:

- ① Press and hold the safety button
- ① Squeeze the switch lever ② towards the handle (E)
- ② Release the safety button

### Stopping:

- Release the switch lever ②

## 5. Maintenance

### Cleaning Aerator:



#### **Danger! The aerator cylinder can cause injuries!**

Prior to maintenance unplug from the mains and wait until the Aerator drum has stopped. Disconnect the mains power. Wear thick heavy-duty gloves for performing maintenance.

The Aerator should be cleaned after each time it is used.

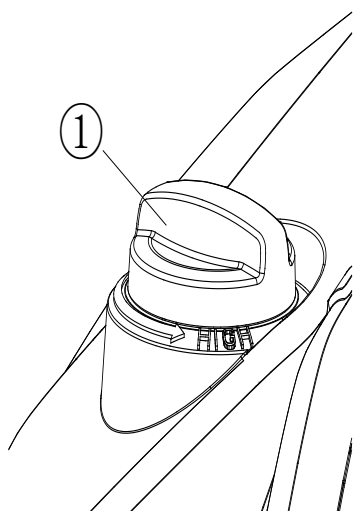


#### **Risk of injury and physical damage !**

Do not clean Aerator under running water (particularly under high pressure ).  
Do not use hard or pointed objects for cleaning the Aerator.

Remove grass and deposits from wheels, aerator cylinder and hosing.

### Adjusting for wear:



F

The Aerator is subject to wear in use due to the way in which it works . The more intensively the Aerator is used , the greater the wear on the knives.

Hard or very dry ground accelerates wear as does excessive use of the Aerator

If the results of your work with the Aerator become increasingly worse due to knife wear,the aerator cylinder can be adjusted twice.

**The aerator cylinder has variable height adjustment positions. When you want to move the aerator when not in use, you should rotate the adjustment button ① to the “high” position.**

### Transport position:

Rotate the adjustment button ① to the “high”position gently away from the housing and move to the position required.

**Note:** Wear adjustment is not used for height adjustment. Adjustment of the aerator cylinder without visible wear can cause damage to the aerator cylinder or overload the motor.

## **BEFORE USE:**

**PLEASE REMOVE SCARIFIER CYLINDER FROM UNDERNEATH BY CUTTING THE TWO CABLE TIES.**

**FAILURE TO DO THIS WILL DAMAGE THE PRODUCT AND WILL NOT BE COVERED UNDER WARRANTY.**

## 6. Aerator & Scarifier Cylinder Exchange

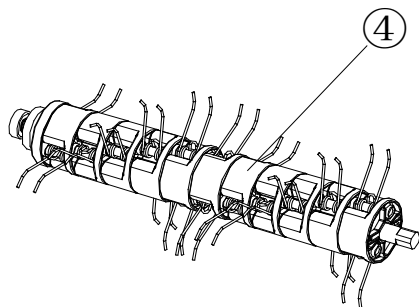
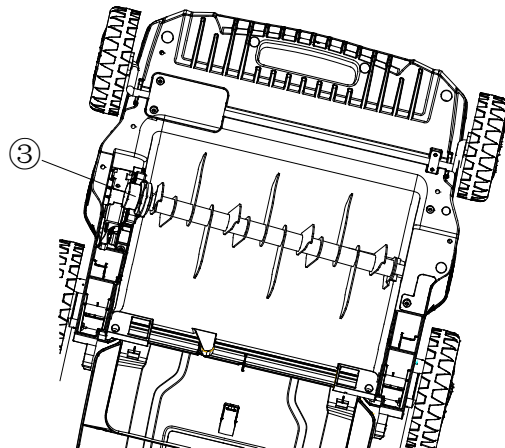
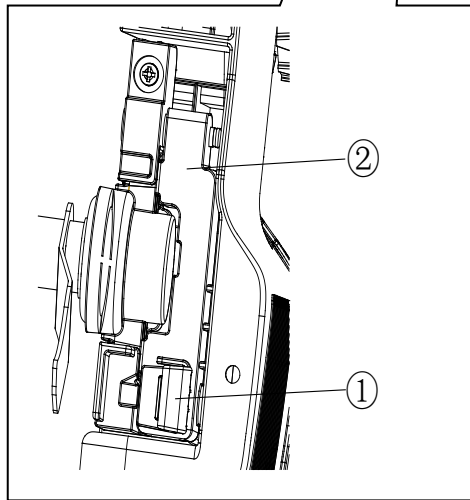
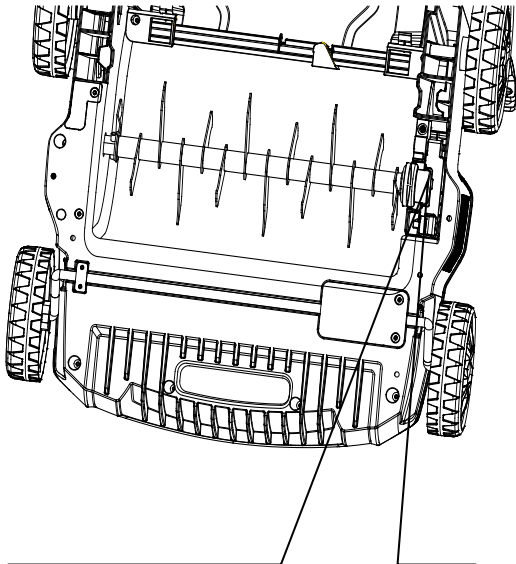
### Replacing aerator cylinder:



Danger! The aerator cylinder can cause injuries!  
Prior to maintenance, unplug from the mains  
and wait until the aerator cylinder has stopped.  
Wear working gloves when rectifying faults.

If the aerator cylinder is in wear adjustment position and is worn, the aerator cylinder must be replaced.

1. Rotate button ① on the underside of the button ②.
2. Lift Scarifier blades cylinder ③ at an angle and pull away from the drive shaft.
3. Push the new aerator cylinder ③ on to the drive shaft in such a way that square shaft is inserted in the square hole in the drive shaft.
4. Secure with button ① and ②.



Scarifier cylinder with spring tines.



## 7. Scarifier Operation

---

It is recommended to start scarification/aeration at a point close to the power supply and to work your way away from the supply. Proceed at a right angle from the power supply and place the power cable to the side which has already been scarified (**E**).



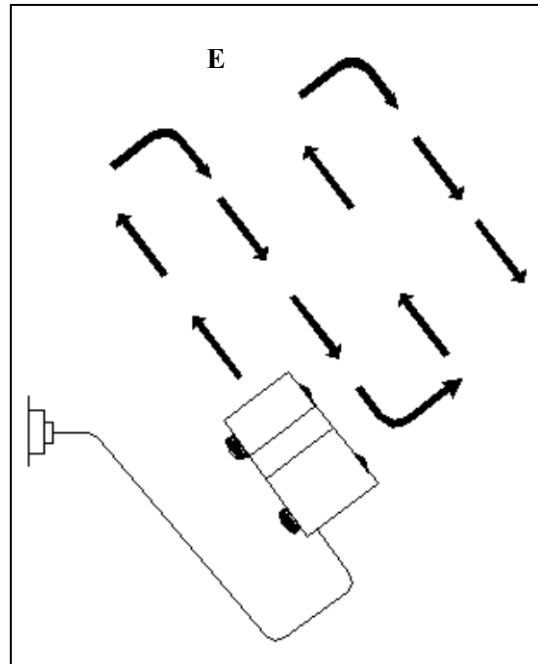
**Warning:** When scarifying do not allow the motor to labour particularly in heavy conditions.

When the motor labours the speed of the motor drops and you will hear a change in the motor sound, when this occurs stop scarifying, release the switch lever and raise the height of cut. Failure to do so could damage the machine.

**NOTE:** the motor is protected by a safety cut out which is activated when the blade becomes jammed or if the motor is overloaded.

**Safety Overload:**

When this occurs, stop the machine and remove the plug from the power supply. The safety cut out will only reset when the switch lever (10) is released. Clear any obstruction and wait for a few minutes for the safety cut out to reset before continuing to operate. At this time do not operate the switch lever (10) as this will prolong the reset time of the safety cut out. If the tool cuts out again, increase the height of cut to reduce the load on the motor.



## 8. Technical Data

---

<b>Electric Lawn Rake</b>	<b>LS-S4001A</b>
Rated power	1800W
Blade length	40cm
Height of cut	+8 to -12mm
Collector capacity	40L
Net weight	12kg
Protection class	□ /IPX4
Working speed of the aerator cylinder	3900~4300rpm
Sound power level	102dB(A)

## 9. Warranty

---

This product is warranted in accordance with legal regulations for a 24 month period effective from the date of purchase by the first user.

This product will not be covered if used in a commercial application.

This warranty covers all material or production failures, it does not include: defects from normal wear and tear, parts such as, bearings, brushes, cables, air cleaning elements, brake pad, clutch disc, tyre, wheel, recoil starter rope, belts, cutter blades, tines, plugs, lubricant oils and grease or accessories. Damage or defects resulting from abuse, accidents or alterations, natural fading of painted or plated surfaces, sheet peeling and other natural deterioration.

Any damage that occurs from the use of non-genuine Cobra parts will not be covered.

We reserve the right to reject any claim where the purchase cannot be verified or when it is clear that the product was not maintained properly. (Clean ventilation slots, carbon brushes and serviced regularly)

Expenses incidental to the warranty claim that are not covered;

-Compensation for loss of time, commercial loss or rental costs of substitute product.

-Costs incurred for transportation to and from the dealership.

Any damage that occurs from the following will not be covered; exposure of the product to smoke and soot, chemical agents, bird droppings or other animal waste, seawater, sea breeze, salt or other environmental phenomena.

Any damage resulting from operating methods other than those indicated in the owner's manual will not be covered.

Your purchase receipt must be kept as proof for date of purchase. Your un-dismantled product must be returned to your dealer in an acceptably clean state, accompanied by your proof of purchase.

### **Please Register Your Cobra**

If your dealer did not collect registration information from you, please take a few minutes and register your purchase with Cobra.

You can register by completing and mailing the registration card that should be in the box or by going online to:

[www.cobragarden.co.uk](http://www.cobragarden.co.uk) and clicking on Product Registration.

### **ENVIRONMENT**

Should your machine need replacement after an extended use, do not put it in the domestic waste but dispose of it in an environmentally safe way.

## 10. EC-Declaration of Conformity

<b>EC Declaration of Conformity</b>	
We herewith declare,	Cobra Garden Machinery Henton & Chattell Ltd, London Road, Nottingham NG2 3HW UK
That the following machine complies with the appropriate basic safety and health requirements of the EC Directive based on its design and type, as brought into circulation by us.	
In case of alteration of the machine, not agreed upon by us, this declaration will lose its validity	
Machine Description:	Electric Powered Scarifier / Aerator
Machine Type:	SA40E (LS4001A)
Power Rating	1800W
Operating Width:	400mm
Measured sound power level:	87dB(A)
Guaranteed sound power level:	102dB(A) Notified Body for EC Directive 2000/14/EC:0036 TÜV SÜD China No.10 Huaxia Road (M), Dongting, 214100, Wuxi, Jiangsu P.R. China
Applicable EC Directives:	2006/42/EC      2004/108/EC 2000/14/EC      98/37/EC
Applicable Harmonized Standards:	EN 60335
Authorized Signature/Date/ Place:	  Peter J. Chaloner 01-10-2019
Title of Signatory:	Managing Director
Name and address of the person authorised to compile the technical file	Cobra Garden Machinery Henton & Chattell Ltd, London Road, Nottingham NG2 3HW UK